

KM electronic components
Heydenreich Straße 10
67346 Speyer
+49 6232 3171201
info@KM-electronic.com

HIGH TEMPERATURE HIGH BAY

HB-NL

80° C Ta approved



CE RoHS



IP67

Features

- Heat-sinking technology ensures long life-span and low light decrease
- IP67 for wet locations
- Valid for the entire temperature range from - 40° C to + 80° C
- Tempered glass lens, non yellowing and non cracking, suitable for long term applications
- Patented classic design

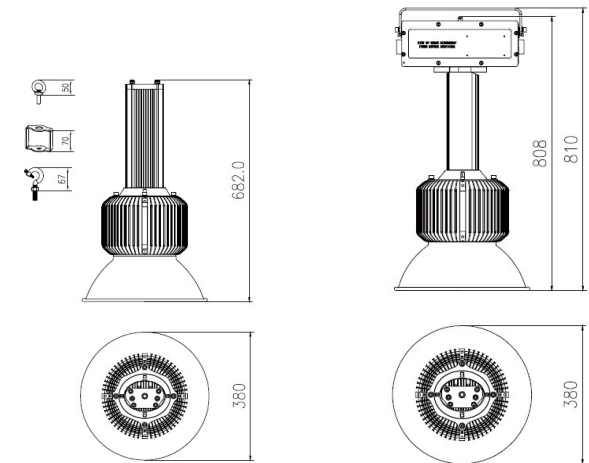
The HB-NL Series LED Luminaire combines optical performance, energy efficiency, and outstanding versatility to meet the requirements of harsh environments.

Built for Lighting applications with high-temperatures, dust, corrosive gas environment. Fully IP67 rated. They deliver a wide range of light outputs that replace 200 W - 400 W HID / HPS / Metal halide, 4" to 8" fixture such as T5/T8 high intensity fluorescent fixtures.

HB-NL Series offers higher energy savings with increased efficacy, lower maintenance costs and shorter calculated payback-times.

Parameter

Model No	Power (W)	Luminous Flux (Lm)	Beam angle
HB-NL-150-060	150	21.000	60°
HB-NL-150-110	150	22.500	110°
Above lumens based on 5000K Ra 70 PF >0,9			



AC Input	AC 120-277 V / 347-480 V 50/60 Hz
Light Source	3030
CRI	Ra 70
CCT Range	4000K / 5000K / 5700K
Light Efficiency	140/150 Lm/W
Beam Angle	60° / 110°
Ambient Temperature	- 40° C - + 80° C
L80B10	50.000 hours
Size	D = 260 / 380 mm
Ingress Protection	IP67 & IK08
Installation Height	6 - 15 m
Certificate	UL , CE , RoHS
Function	Dimmable 1- 10 V
Warranty	4/5 Years

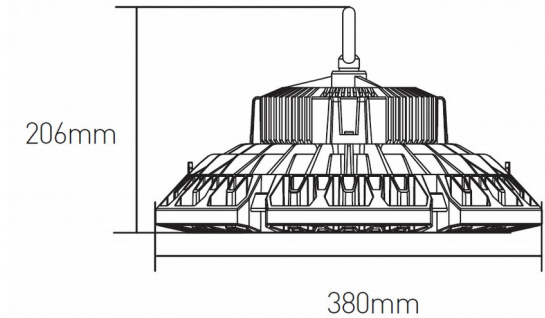
65° C Ta approved

CE RoHS



Features

- Harsh condition applications
- up to 65° C
- 5,5 Kg Aluminium-body enabling ideal heat sink
- Protective Vents - rapid pressure equalization to extend seal life
- Patented design



Parameter

Model No	Power (W)	Luminous Flux (Lm)
HB-EV-100	100	19.000
HB-EV-150	150	28.500
HB-EV-180	180	34.200

Above lumens based on 4000K Ra 70
PF >0,93 THD <20%

AC Input	AC 120-277 V 50/60 Hz
Light Source	3030
CRI	Ra70 / Ra80 / Ra90
CCT Range	3000K / 4000K / 5000K / 6500K
Light Efficiency	190 Lm/W
Beam Angle	60° / 90° / 110°
Ambient Temperature	- 30° C - + 65° C
L80B10	75.000 hours
Size	D = 380 mm
Ingress Protection	IP65 & IK08
Installation Height	3 - 20 m
Certificate	TÜV , CE , RoHS
Function	Dimmable 1- 10 V
Warranty	5 Years

With the awareness of Energy-Saving, high temperature LED High Bay, is also mentioned by the market for heavy industry. According to this growing request, etalon especially pays high attention to this special design, solving difficult temperature issue

The unique heat sink and drivers in combination with an rebreather value market it suitable for use in demanding areas. With up to 65° C ambient temperature, an ideal solution for heavy industry, for example, steel factories.

HIGH EFFICIENCY HIGH BAY

HB-ST- 70 - 240

up to 190 Lm/W



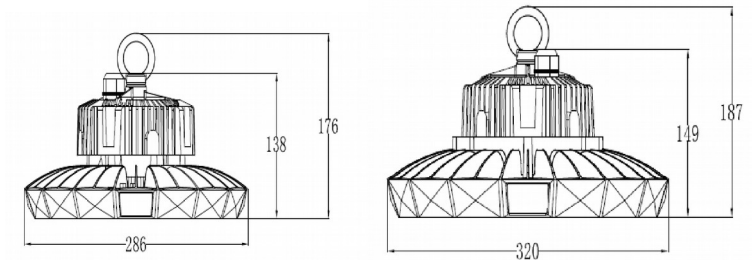
Features

- Maximum energy savings
- up to 190 Lm/W
- Aluminium body / PC Lens
- Light-weight with only 3,2 / 4,5 Kg
- Optional Motion-sensor
- Optional Daylight-sensor

Parameter

Model No	Power (W)	Luminous Flux (Lm)
HB-ST-070	70	13.300
HB-ST-090	100	17.100
HB-ST-110	110	20.900
HB-ST-150	150	28.500
HB-ST-200	200	38.000
HB-ST-240	240	43.200

Above lumens based on 5000K Ra 70
PF >0,95 THD <20%



AC Input	AC 100-277 V 50/60 Hz
Light Source	2835 / 3030
CRI	Ra 70 / Ra 80
CCT Range	4000K / 5000K / 5700K / 6000K
Light Efficiency	190 Lm/W
Beam Angle	60° / 90° / 120°
L80B10	75.000 hours
Ambient Temperature	- 40° C - + 50° C
Size	D = 286 / 320 mm
Ingress Protection	IP65 & IK08
Installation Height	6 - 20 m
Certificate	CE , RoHS , CCC , CB , UL
Function	Dimmable / DALI / Zigbee
Warranty	5 years

The HB-ST Series shows the current maximum of reliable Efficiency – 190 Lm/W in a highest quality High Bay.

HB-ST is equipped with a high quality driver, a customer molded lens and delivers top thermic performance.

Of course all modern sensor and wireless technologies available.

The Luminarie will impress not only with its technical parameters but also with its excellent economy.

HIGH LUMEN HIGH BAY

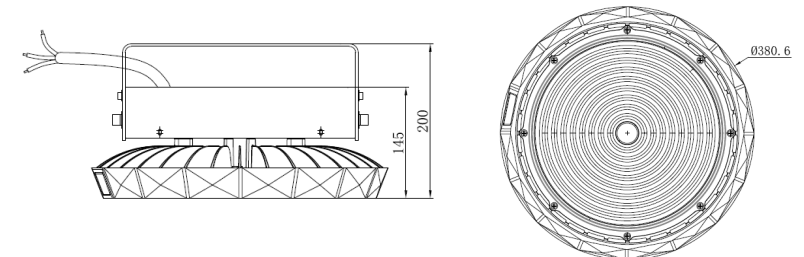
HB-ST- 260 - 320

up to 57.600 Lm



Features

- Up to 57.600 Lm
- Up to 185 Lm/W
- Invertronics driver
- Aluminium body / PC Lens
- Optional Moving-sensor
- Optional Daylight-sensor



The High Power Version of our HB-ST Series: Reliable Efficiency of 185 Lm / W combined with up to 57.600 Lumen. The right solution for ceiling heights up to 40 m.

HB-ST is equipped with a quality brand driver, customer molded lens and top thermic performance.

Of course are all modern sensor and wireless technologies available.

A highly economic Power-package!

Parameter

Model No	Power (W)	Luminous Flux (Lm)
HB-ST-260	260	48.100
HB-ST-280	280	51.800
HB-ST-300	300	55.550
HB-ST-320	320	57.600

Above lumens based on 5000K Ra 70
PF>0,95

AC Input	AC 100-277 V 50/60 Hz
Light Source	2835
CRI	Ra 70 / Ra 80
CCT Range	4000K / 5000K / 5700K / 6000K
Light Efficiency	185 Lm/W
Beam Angle	60° / 90° / 110° / 120°
Ambient Temperature	- 40° C - + 50° C
L80B10	75.000 hours
Size	D = 380 mm
Ingress Protection	IP65 & IK08
Installation Height	8 - 40 m
Certificate	CE , RoHS , CCC , CB , UL
Function	Dimmable / DALI / Zigbee
Warranty	5 years

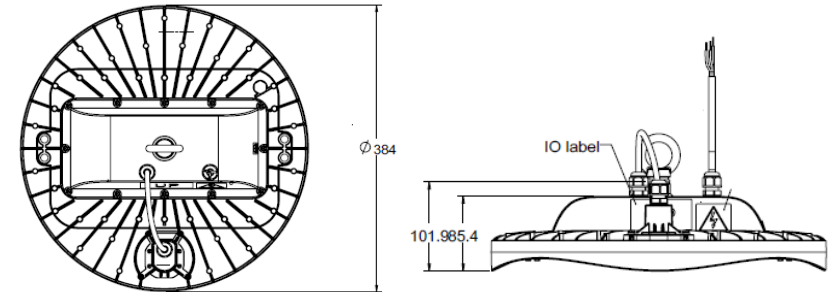
Integrated Microwave Sensor

CE RoHS



Features

- Integrated Microwave Sensor
- Modern Design
- Only 4,5 Kg
- Setting can be adjust by remote control
- Slim line version
- Optional Optic 30 x 90° beam
- Adjustable by remote control from 11.000 – 21.000 lm



Our latest High Bay Design is slim, light-weight and robust. Ideal for industrial applications. The HB-125 Series have integrated sensors on board, controlled by motion and daylight. The setting of the sensors can be set very easily by remote control unit after installation.

An additional feature is the dimmable function which can be set by remote control between 11.000 Lm up to 21.000 Lm. The 30° x 90° optic is especially designed for alleys in warehouses and logistical areas.

Parameter

Model No	Power (W)	Luminous Flux (Lm)
HB-A125	125	11.000 to 21.000
Above lumens based on PF >0,95		5000K Ra 80

AC Input	AC 90 - 264 V 50/60 Hz
Light Source	3030
CRI	Ra 80
CCT Range	4000K / 5000K
Light Efficiency	165 lm/W
Beam Angle	55x65° , 30°x90°
Ambient Temperature	- 40° C - + 50° C
Size	D = 384 mm
Ingress Protection	IP65 & IK08
L80B10	68.000 hours
Installation Height	6 - 15 m
Certificate	CE , RoHS
Function	Microwave sensor remote control
Warranty	5 years

ECONOMY HIGH BAY LINE

HB-TB

up to 170 Lm/W

CE RoHS



HB-TB is constructed as highest value for money model.

A special feature will be the optional integrated Sensor for adjusting the light intensity, easily controllable by the customer by remote control and Bluetooth.

Ideal for large indoor spaces like factories, workshops, warehouses and commercial applications.

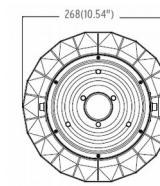
Features

- Up to 170 Lm/W
- Optional Integrated Sensor
- Optional Bluetooth Control
- Heavy Aluminium Cover

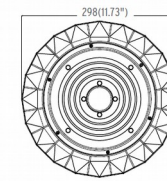
Parameter

Model No	Power (W)	Luminous Flux (Lm)	Beam Angle
HB-TB-100-150	100	15.000	60°/90°/120°
HB-TB-120-150	120	18.000	60°/90°/120°
HB-TB-150-150	150	22.500	60°/90°/120°
HB-TB-200-150	200	30.000	60°/90°/120°
HB-TB-240-150	240	36.000	60°/90°/120°
HB-TB-100-170	100	17.000	120°
HB-TB-120-170	120	20.400	120°
HB-TB-150-170	150	25.500	120°
HB-TB-200-170	200	34.000	120°
HB-TB-240-170	240	40.800	120°

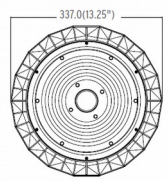
Above lumens based on 5000K Ra 80 PF>0,95



100W



120/150W



200/240W

AC Input	AC 100-277 V 50/60 Hz
Light Source	3030
CRI	Ra 80
CCT Range	4000K / 5000K / 6000K
Light Efficiency	150 Lm/W / 170 Lm/W
Beam Angle	60° / 90° / 120°
Ambient Temperature	- 40° C - + 50° C
L80B10	62.000 hours
Size	D = 268 / 298 / 337 mm
Ingress Protection	IP65 & IK08
Installation Height	6 - 20 m
Certificate	CE , RoHS , ETL , CB
Function	Optional Bluetooth / Microwave
Warranty	5 years

CE RoHS



Features

- Aluminium housing
- Cost efficiency version
- PC cover
- 5 years warranty
- Optional Microwave sensor

Reduced to the essentials!

Only 90° and 135 Lm / W

At a breath-taking Price!

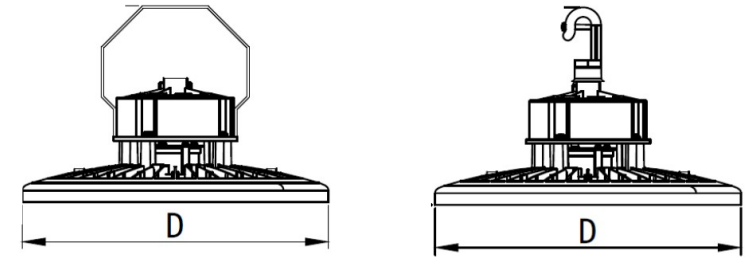
The perfect solution for locations with lower operation times and ceiling height of 3 – 12 m

HB-TL series UFO LED high bay adopt aluminium die casting housing, ultra thin structure with excellent cooling; high light transmittance tempered glass lens applied, good light distribution performance; Waterproof design suitable for wet locations. CE/SAA/EMC/IP65/IK08/RoHS certificated.

Parameter

Model No	Power (W)	Luminous Flux (Lm)
HB-TL-100	100	13.500
HB-TL-150	150	20.250
HB-TL-200	200	27.000
HB-TL-240	240	32.400

Above lumens based on 5000K Ra 80
PF >0,95



AC Input	AC 100-277 V 50/60 Hz
Light Source	2835
CRI	Ra 80
CCT Range	4000K / 5000K
Light Efficiency	135 Lm/W
Beam Angle	90°
Ambient Temperature	- 40°C - + 40°C
L80B10	50.000 hours
Size	D = 320 / 360 mm
Ingress Protection	IP65 & IK08
Installation Height	3 - 12 m
Certificate	CE , RoHS
Function	0 - 10 V
Warranty	5 years

UGR less than 16

CE RoHS



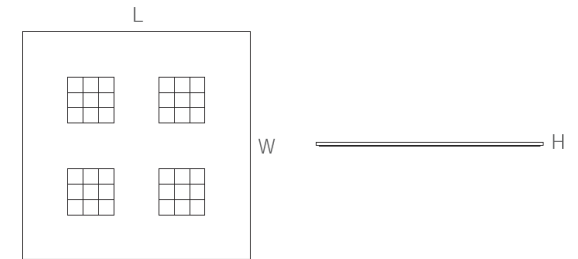
Features

- Classic flavor grille LED panel
- UGR < 16 (low glare)
- 130 Lm/W or 140 Lm/W
- CCT tuneable
- Accurate light distribution control

Parameter

Model No	Power (W)	Luminous Flux (Lm)	Dimensions (mm)
PL-DW2-1	36	4.680	595x595x26,8
PL-DW2-2	36	4.680	620x620x26,8
PL-DW2-3	36	5.040	595x595x26,8
PL-DW2-4	36	5.040	620x620x26,8

Note : UGR value is calculated based on the light emitting surface



AC Input	AC 100-240 V 50/60 Hz
Light Source	3030
CRI	Ra 80
CCT Range	3000K / 4000K / 5000K
Light Efficiency	130 Lm/W / 140 Lm/W
Beam Angle	70°
Ambient Temperature	- 20° C - + 45° C
L80/B10	50.000 hours
Size	see parameter
Ingress Protection	IP40
Glow Wire Test	850°C
Certificate	CE , RoHS
Function	1-10 V / DALI optional
Warranty	5 Years

REFLECTOR MOULD LED PANEL LIGHT

PL-DW1

UGR less than 18.1

CE RoHS



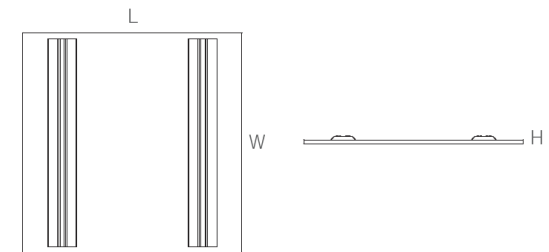
Features

- LED Module changeable
- Classic flavor grille design
- Frosted cap offer soft light
- UGR < 18.1
- CCT tuneable optional
- Silver / White reflector options
- 3 or 4 modules rows for 595x595 mm optional

Parameter

Model No	Power (W)	Luminous Flux (Lm)	Dimensions (mm)
PL-DW1-1	36	4.320	595x595x21,8
PL-DW1-2	36	4.320	620x620x21,8

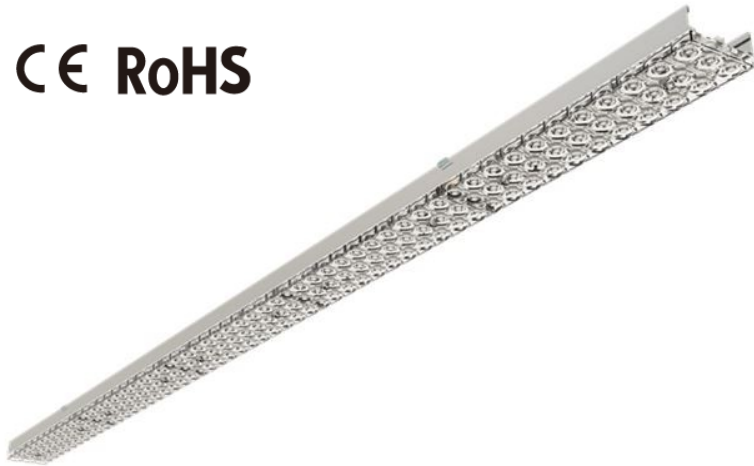
Note : UGR value is calculated based on the light emitting surface



AC Input	AC 100-240 V 50/60 Hz
Light Source	3030
CRI	Ra 80
CCT Range	3000K / 4000K / 5000K
Light Efficiency	120 Lm/W
Beam Angle	70°
Ambient Temperature	- 20° C - + 45° C
L80/B10	50.000 hours
Size	see parameter
Ingress Protection	IP40
Glow Wire Test	850°C
Certificate	CE , RoHS
Function	1-10 V / DALI optional
Warranty	5 Years

compatible with most of all European trunking brands

CE RoHS

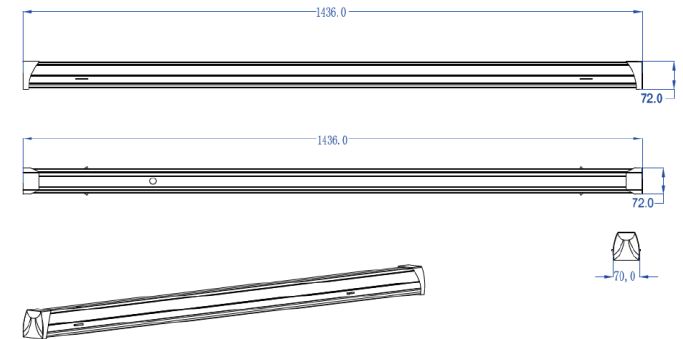


Retrofit trunk linear light is a linear LED module fully compatible to fit all kinds of trunking rails in various applications such as supermarkets, warehouses, production areas, workshops, etc. The simple-to-install, plug & play enables the fastest installation within 10 seconds. This saves extensive labour costs – a key advantage. Smart Lighting functions with DALI and 1-10V dimming makes this lighting solution intelligent and economic. Backed up with a 6W emergency driver and a 3000 mA Ni-H battery the emergency light running time would be 3 hours. Standard Version with integrated circuits to connect driver directly.

Available with a 3-phase switch
 5 wires : L1,L2,L3,N,G
 7 wires : L1,L2,L3,N,G, D+,D- or L1,L2,L3,N,G, EL,EN

Features

- Installation within 10 seconds
- power supply with new 3-phase plug connected cable - safe and reliable
- perfect 1:1 replacement for T5 and T8 fixtures
- safety rope
- Seamless connection up to 80 pcs (e.g, 55 W, max load 80 pcs)
- Lens optic with different characteristics



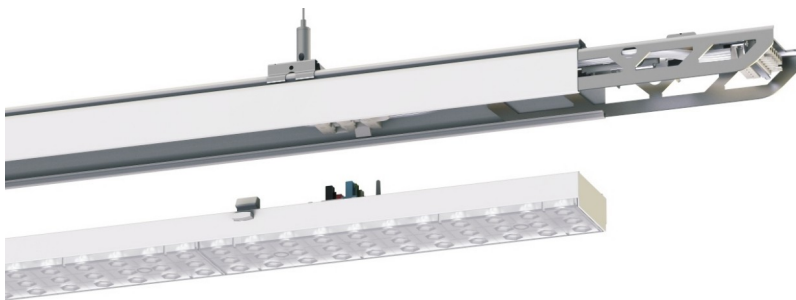
Parameter

Model No	Power (W)	Luminous Flux (Lm)
LS-DL-055	55	8.800
LS-DL-075	70	11.200

Above lumens based on 5000K Ra 80
 PF>0,9 160 Lm/W

AC Input	AC 200-240 V 50/60 Hz
Light Source	2835
CRI	Ra 80
CCT Range	3000K / 4000K / 5000K / 6000K
Light Efficiency	160 Lm/W
Beam Angle	30° / 60° / 90° / 120°
Ambient Temperature	- 20° C - + 60° C
L80B10	89.000 hours
Size	L = 1500 mm
Ingress Protection	IP42
Installation Height	3 - 15 m
Certificate	CE , RoHS
Function	Microwave Sensor / DALI
Warranty	5 years

8 different power-level 4.000 to 12.000 Lm



Features

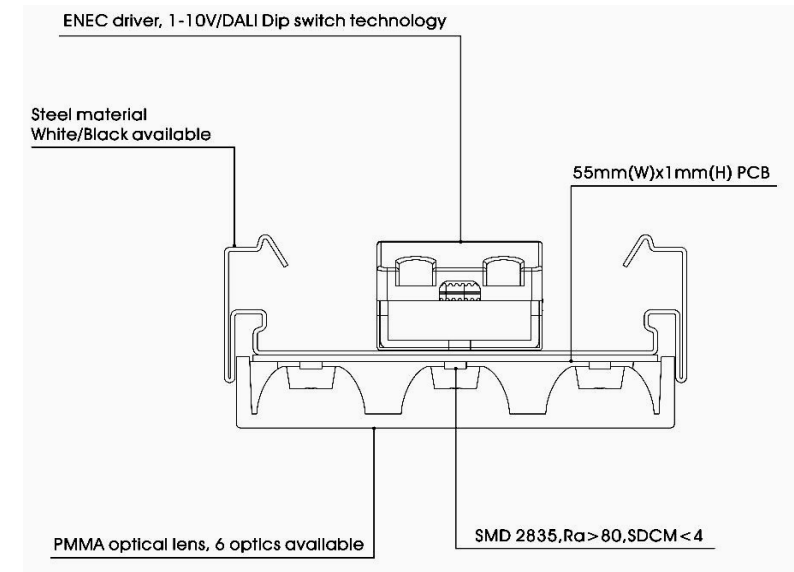
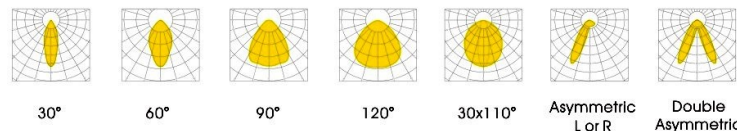
- 8 different power-level (25-75W) selectable
- single lens per LED, 6 optics available
- Steel – rails with 5, 8 or 11 pole wiring
- Easy tool-less installation
- Efficiency 160 Lm/W
- Different options available
- available with integrated battery system
- Emergency light module
- DALI / 0-10VDC dimmable

Parameter

Model No	Power (W)	Luminous Flux (Lm)	Luminary length (mm)
LS-TRI-025/075	25 - 75	4.000 - 12.000	1437

Above lumens based on 5000K, Ra 80

Optics



AC Input	AC 100-240 V 50/60 Hz
Light Source	2835
CRI	Ra 80
CCT Range	3000K / 4000K / 5000K / 6000K
Light Efficiency	160 Lm/W
Beam Angle	30° / 60° / 90° / 120° / A / DA
Ambient Temperature	- 30° C - + 40° C
L80B10	50.000 hours
Unit Size	L = 1437 mm, W = 67 mm
Certificate	ENEC, CE , RoHS
Function	Sensor / DALI / 0-10V
Warranty	5 years

The series LS-TRI is an easy installation Linear trunking System. It can be used for various applications. Such as, supermarkets, production areas, halls, warehouses, fair and exhibition halls.

Perfect for new installations as well as for existing systems as an upgrade.

Dimmable by DALI or 1-10 V.

Available options are built-in battery supply module, that works as an Emergency-Power-Supply.

HIGH EFFICIENCY WATERPROOF LUMINAIRE

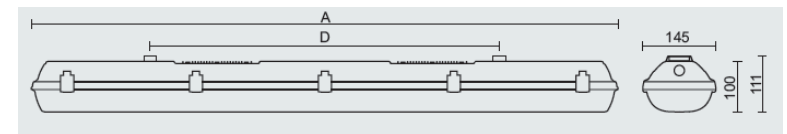
WP-TR

173 Lm/W



Features

- IP66 certified
- L80B10 100.000 hours
- Ambient temperature up to 50° C
- Sulphur resistant
- Energy saving compare to T5 up to 45 %
- Emergency version optional
- DALI, micro-wave sensor optional
- ENEC approved



The series WP-TR is an professional high efficiency waterproofed luminaire with 173 Lm/W. The luminaire can be used in industrial applications, warehouses, labours and outside of buildings.

The energy savings compared to T5 system up to 45%.

Extremely homogeneous and bright - up to 10.030 Lm at 58 W.

Parameter

Model No	Power (W)	Luminous Flux (Lm)	length (mm)
WP-TR-023	23	3.980	612
WP-TR-047	47	8.130	1172
WP-TR-058	58	10.030	1452

Above lumens based on 4000K Ra 80
PF >0,93

AC Input	AC 220-240 V 50/60 Hz
Light Source	2825
CRI	Ra 80 / Ra 90
CCT Range	3000K / 4000K / 5000K / 6500
Light Efficiency	173 Lm/W
Ambient Temperature	- 30° C - + 56° C
L80B10	104.000 hours
Ingress Protection	IP66 & IK10
Installation Height	3 - 8 m
Certificate	ENEC , CE , RoHs,
Function	Dimmable 1 - 10 V / Emergency
Warranty	5 Years

up to 160 Lm/W

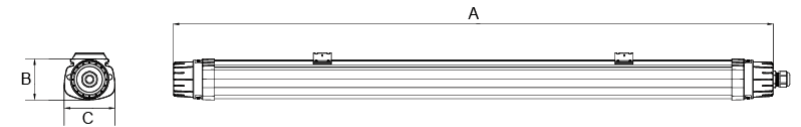
CE RoHS



The WP-AV Series is a professional but for different industries. It is as stea proof luminaire offering impressive benefit for applications of 3 to 8 m. Cables are tool free and quickly mounted on either side. Rotating end caps and push on connectors provide easy assembly and high modularity due to a „one-piece“ design and simple structure. It offers homogeneous and bright light up to 10.080 Lm at 63 W. Extremely resistant and high quality materials ensure IP65 and IK08 certifications.

Features

- Tool-free and fast installation
- Multi-function: on/off, 1-10 V, DALI, Motion-sensor, emergency
- Multi-installation ceiling mount, wire suspension, trash suspension
- Multi-wiring 3/5x1,5 mm , 3/5x2,5 mm, 3 phase
- High efficiency up to 10.080 Lm by 160 Lm/W



Parameter

Model No	Power (W)	Luminous Flux (Lm)	length (mm)
WP-EV-09-40	40	6.400	1200
WP-EV-09-50	50	8.000	1500
WP-EV-09-63	63	10.080	1500

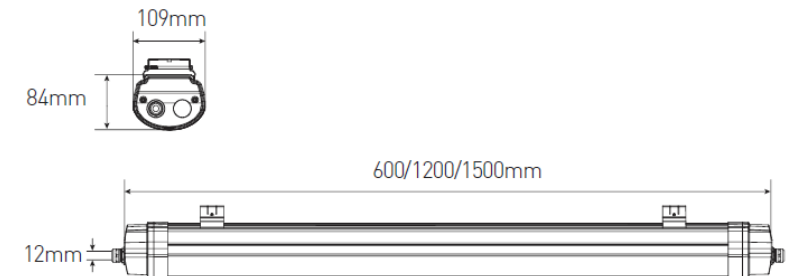
Above lumens based on 4000K Ra 80
PF >0,93 , Frosted cover - 10 Lm/W

AC Input	AC 220-240 V 50/60 Hz
Light Source	2825
CRI	Ra 80 / Ra 90 / Ra 95
CCT Range	3000K / 4000K / 5000K / 6500K
Light Efficiency	160 Lm/W
Beam Angle	120°
Ambient Temperature	- 30° C - + 56° C
L80B10	100.000 hours
Size	84(W) x 68(H) mm
Ingress Protection	IP65 & IK08
Installation Height	3 - 8 m
Certificate	CE , RoHS
Function	Dimmable/ Motion sensor/ Emergency
Warranty	5 Years

up to 170 Lm/W and up to 19.600 Lm

Features

- High Power up to 170 Lm/W
- Available from 6.800 up 19.600 Lm
- Ball test DIN18032-3
- IP65 / IK10 rating
- On/Off , 1-10V, DALI, Sensor, Emergency optional
- 3 Phase through-wiring with selector switch available



The WP-AV-21 Serie is a robust and powerful luminaire designed for high ceiling warehouses and indoor sport halls complying with ball test in DIN18032-3.

The luminaire is able to adapt to different requirements thanks to its high power, uniform illumination and intelligent lighting management system.

Parameter

Model No	Power (W)	Luminous Flux (Lm)	length (mm)
WP-EV-21-040	40	6.800	1200
WP-EV-21-060	60	10.200	1500
WP-EV-21-080	80	11.200	1200
WP-EV-21-100	100	14.000	1200
WP-EV-21-120	120	16.800	1500
WP-EV-21-140	140	19.600	1500

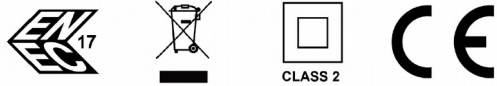
AC Input	AC 220-240 V 50/60 Hz
Light Source	2825
CRI	Ra 80 / Ra 90 / Ra 95
CCT Range	3000K / 4000K / 5000K / 6500K
Light Efficiency	170 Lm/W
Beam Angle	120°
Ambient Temperature	- 30° C - + 50° C
L80B10	100.000 hours
Size	83(W) x 63(H) mm
Ingress Protection	IP65 & IK08
Installation Height	3 - 10 m
Certificate	CE , RoHS
Function	Dimmable/ Motion sensor/ Emergency
Warranty	5 Years

Above lumens based on 4000K Ra 80
PF >0,93 , Frosted cover - 10 Lm/W

PROFESSIONAL STREET LIGHT VERSION

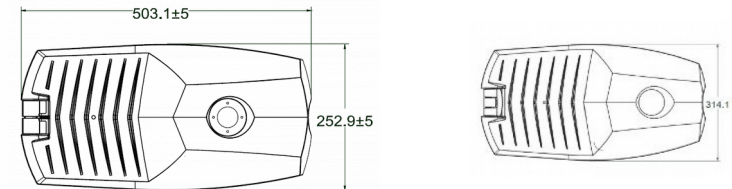
LMH

main roads certified S5,S4,ME4,ME4b,ME3c



Features

- Main roads certified S5,S4,ME4,ME4b,ME3c
- ENEC approved
- DALI and ZigBee control available
- Tool-free opening
- Philips driver
- Multiple installation methods
- Ready for smart City applications



The LMH series is designed for multiple installation methods. The tool-free opening of the luminaire switches the power off automatically.. No need to cut power by external power station. European Design.

The complete LMH series is certified for mainroads like S5, S4, ME4, ME4b and ME3c.

Typical output lumen from 2.100 Lm up to 16.000 Lm. All versions equipped with Philips driver allowing virtuell midnight options.

Regulation and 1-10 V dimming.

Parameter

Model No	Power (W)	Luminous Flux (Lm)
LMH017	17	2.100
LMH027	27	3.300
LMH052	52	6.250
LMH093	93	11.200
LMH133	133	16.000

Above lumens based on 4000K Ra 70
PF >0,95

AC Input	AC 90 - 264 V 50/60 Hz
Light Source	3030
CRI	Ra 70
CCT Range	3000K / 4000K / 5000K
Light Efficiency	125 Lm/W
Beam Angle	156x61 / 150x58 / 156x61
Ambient Temperature	- 30° C - + 40° C
L80B10	100.000 hours
Size	503x252 mm / 604x314 mm
Ingress Potection	IP66 & IK08
Wind Force Scale	Level 17
Certificate	ENCE , CE , RoHS
Function	Line Switch , DALI , 1-10 V
Warranty	5 years

HIGH EFFICIENCY STREET LIGHT VERSION

SL-OC

up to 157 Lm/W



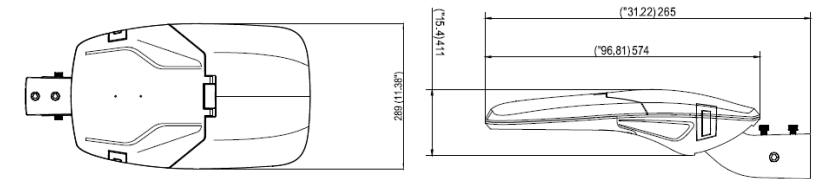
Features

- Efficiency up to 157 Lm/W
- Multiple installation methods
- Tool free opening
- Tool free driver change
- European design
- Ready for smart city applications

Parameter

Model No	Power (W)	Luminous Flux (Lm)
SL-OP-020	20	3.140
SL-OP-030	30	4.710
SL-OP-040	40	4.710
SL-OP-050	50	7.850
SL-OP-060	60	9.420
SL-OP-070	70	10.990
SL-OP-080	80	12.560
SL-OP-090	90	14.130
SL-OP-100	100	15.700
SL-OP-120	120	18.840
SL-OP-150	150	23.550
SL-OP-180	180	28.260

Above lumens based on 5000K, Ra 70, PF >0,95

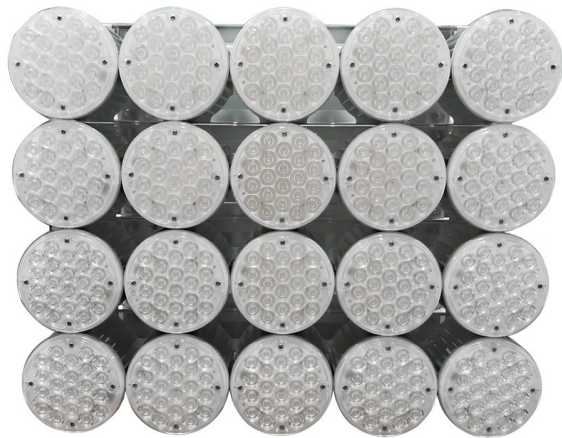


Light Source	3030
CRI	Ra 70 , Ra 80
CCT Range	5000K (optional 2000K-5400K)
Light Efficiency	157 Lm/W
Beam Angle	6 different versions available
Ambient Temperature	- 30°C - + 45°C
L80B10	100.000 hours
Size	475x289x114 mm , 625x290x131 mm
Ingress Protection	IP66 & IK08
Wind Force Scale	Level 17
Certificate	ENCE , CE , RoHS
Function	Line Switch , DALI , 1-10
Warranty	5 years

Engineered with a modern design but classic quality which prevents dust and moisture from entering the fixture. Ensuring a clean lamp and long lifespan.

Intelligent controls, enable the customer of setting and switching light levels providing energy savings between 20-50% and extends the lifespan up to 2 to 4 times.

Opening the luminaire switches the Power off. Preventing the need to set the power in off mode manually.



SD-SLT series are small in size and light-weight. Very good uniformity of illumination, suitable for shootings and ready for television. Integrated famous brand Power Supply. Excellent for high temperature and humid environments. Wide voltage input 90-264 VAC. Multiple dimming modes available: DMX512 , DALI and 1-10 V. UGR less than 12, HDTV ready. Wind proof up to level 12. Applications: Stadiums, Airports, Tunnels, Tennis court or Golf course – LED Lighting.

Features

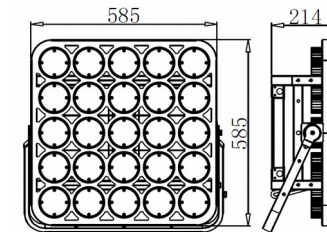
- High light efficiency 200 Lm/W
- Stable color temperature and High Quality Color rendering index up to Ra 95 non flickering, good uniformity
- High quality power-supply
- Suitable for harsh environment
- Efficiency up to 95 %
- Waterproof IP67
- Multiple dimming options dmx 512, DALI and 0-10 V
- Glare UGR <12

Parameter

Model No	Power (W)	Luminous Flux (Lm)
SD-LU-012	120	24.000
SD-LU-015	150	30.000
SD-LU-020	200	40.000
SD-LU-025	250	50.000
SD-LU-030	300	60.000
SD-LU-036	360	72.000
SD-LU-050	500	100.000
SD-LU-060	600	120.000
SD-LU-075	750	150.000
SD-LU-100	1000	200.000

Above lumens based on 5000K
Ra 80 PF >0,95

up to 200.000 Lm at 200 Lm/W

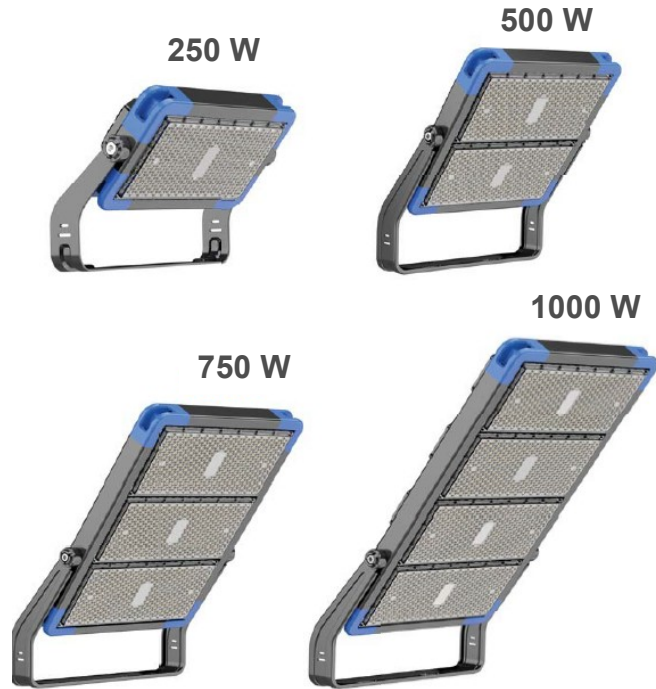


Sample for 600 W only
Other versions on request

AC Input	AC 90-295 V 50/60 Hz
Light Source	5050
CRI	Ra 80 (Optional Ra 95)
CCT Range	2700K - 7500K in steps available
Light Efficiency	200 Lm/W
Beam Angle	22° / 30° / 45° / 70° / 95°
Ambient Temperature	- 40° C - + 60° C
L80/B10	62.000 hours
Size	on request
Ingress Protection	IP67
Installation Height	Up to 100 m
Wind Force Scale	Level 12
Certificate	CE , RoHS , ETL , CB , TÜV
Function	dmx512, DALI , 1 -10 V
Warranty	5 years

up to 150 Lm/W and 140.000 Lm

CE RoHS



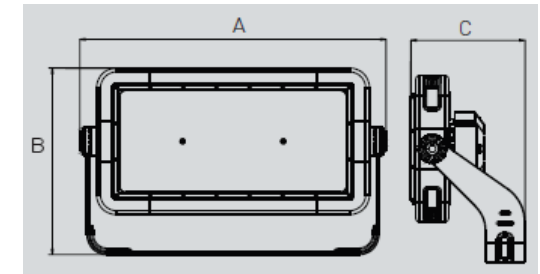
Features

- Replacement for conventional flood lights
- Precision pure aluminium housing
- Available up to 1000 W and 140.000 Lm
- High quality, fade resistant powder coating
- Modular design, each module 240 W
- One integrated driver for each module
- Anti-UV PC optic lens, transmittance >94%

Parameter

Model No	Power (W)	Luminous Flux (lm)	Dimensions (mm)
SD-LS-025	250	35.000	462x222x111
SD-LS-050	500	70.000	462x399x111
SD-LS-075	750	105.000	462x584x111
SD-LS-100	1000	140.000	462x761x111

Above lumens based on 4000K Ra80
PF>0,95 THD <20%



462x282x216 mm
Sample for 250 W Version

AC Input	AC 100-277 V 50/60 Hz
Light Source	3030
CRI	Ra 70 / Ra 80
CCT Range	3000K / 4000K / 5000K / 6500K
Light Efficiency	140 Lm/W (Ra 80) , 150 Lm/W (Ra 70)
Beam Angle	10° / 25° / 45° / 60° / 90°
Ambient Temperature	- 40°C - + 56°C
L80B10	55.000 hours
Ingress Protection	IP66
Installation Height	Up to 40 m
Certificate	CE , RoHS
Function	Dimmable
Warrenty	5 Years

KM electronic components

Heydenreich Straße 10

67346 Speyer

+49 6232 3171201

info@KM-electronic.com

www.KM-electronic.com